

# QUIET RUNNING

## SERIES SWIMMING POOL PUMPS

Applications:  
Recycling and filtering water for commercial pools.



# FCP-AN

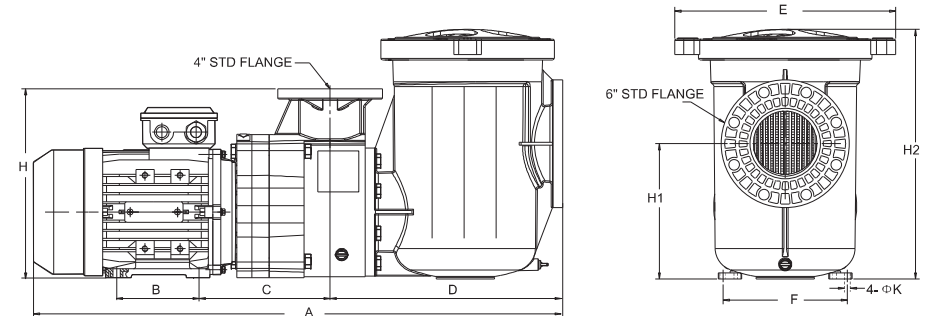
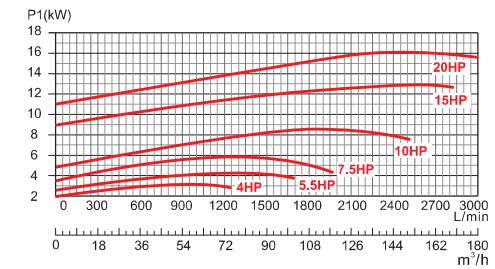
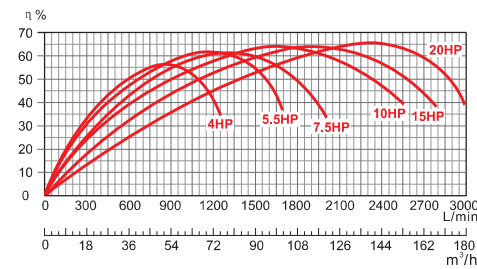
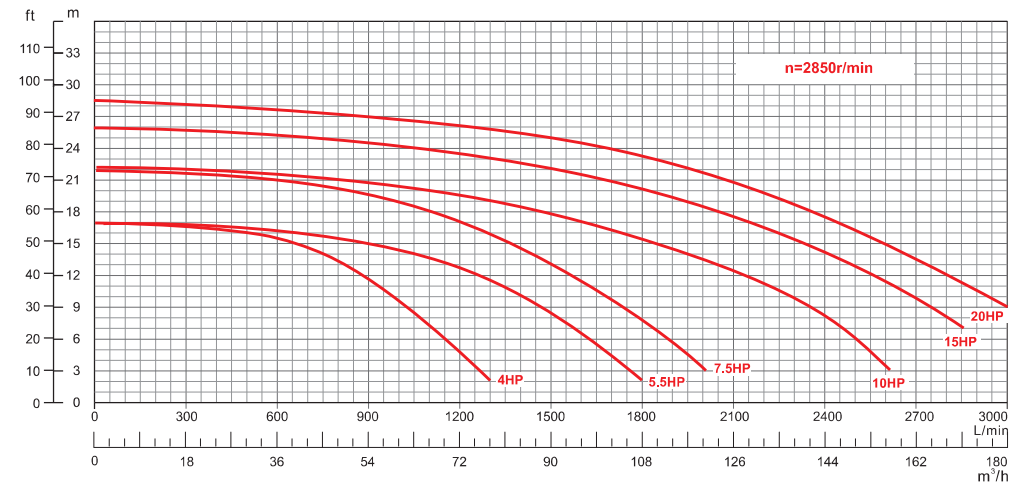
FCP-AN centrifugal pumps complete with prefilter, for filtering and purifying equipment.

**Materials:**  
Pump body, prefilter, diffuser, pump cover, connection cover, filter and impeller in PPO.  
Shaft in stainless steel AISI 316.  
Mechanical seal in sic-sic.

**Motor:**  
Asynchronous, two poles.  
IP 55 protection.  
Class F insulation.  
Continuous operation

### TECHNICAL DATA 50Hz

Model	HP	kW	V		P1(kW)	Q	L/min												
			3~	380V			0	667	833	1000	1167	1500	1667	1917	2250	2500	2833	3000	
FCP-4.0AN	4	3	220	380	6.4	3.63	0	40	50	60	70	90	100	115	135	150	170	180	
FCP-5.5AN	5.5	4	220	380	8.3	4.75	16.5	13.5	12	9.5	5								
FCP-7.5AN	7.5	5.5	220	380	11.1	6.42	16.8	15.8	15	13.8	12.5	8	4						
FCP-10AN	10	7.5	220	380	14.9	8.62	22	20.5	19.5	18.5	17	13	9.5	5					
FCP-15AN	15	11	220	380	21	12.44	22.5	21.5	21	20.3	19.5	18	17	14.5	10.5	6			
FCP-20AN	20	15	220	380	28	16.85	26	25.2	24.5	24	23.5	22.5	21	19	16	13	7.5		
							28.5	27.5	27	26.5	26	25	24	22.5	19.5	16.5	11	9	



### DIMENSION

Model	A	B	C	D	E	F	H	H1	H2	K
FCP-4.0AN	1070	140	279	508	483	190	415	295	546	12
FCP-5.5AN	1070	140	279	508	483	190	415	295	546	12
FCP-7.5AN	1145	140	279	508	483	190	415	295	546	12
FCP-10AN	1145	140	298	508	483	216	415	295	546	12
FCP-15AN	1330	210	305	508	483	216	415	295	546	12
FCP-20AN	1330	210	305	508	483	216	415	295	546	12