

QUIET RUNNING

HORIZONTAL MULTI-STAGE CENTRIFUGAL PUMPS

Applications:
To work with clean water in domestic applications, irrigation, and hydropneumatic sets.



THREE PHASES



HMP15/15P

Quiet running horizontal multi-stage centrifugal pumps.

Materials:

Pump body and impellers in stainless steel AISI-304.

Motor shaft in stainless steel AISI-420.

Diffusers in PPOGF30.

Suction and discharge mountings in cast iron.

Mechanical seal in graphite and steatite / upon request.

Motor housing in aluminium L-2521.

HMP-P self-priming up to 2m. For domestic and industrial supplies, irrigation and hydropneumatic sets.

HMP built-in self-priming valve, not very sensitive to impurities. Self-priming up to 9m. To work with clean water in domestic and industrial application, irrigation, and pressure sets.

Motor:

Asynchronous, two poles.

IP 55 protection.

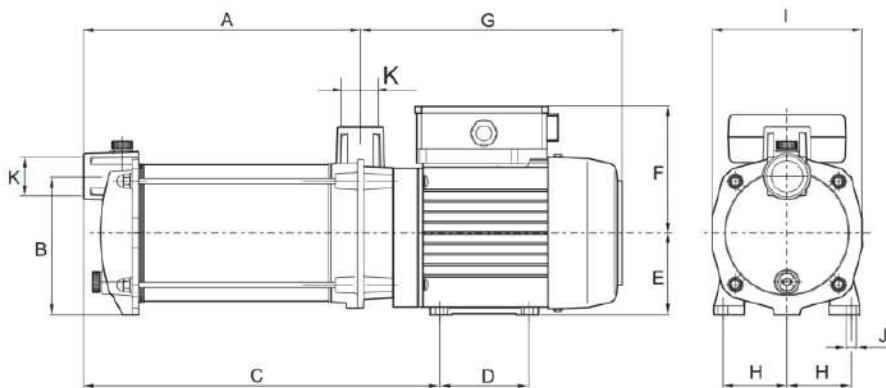
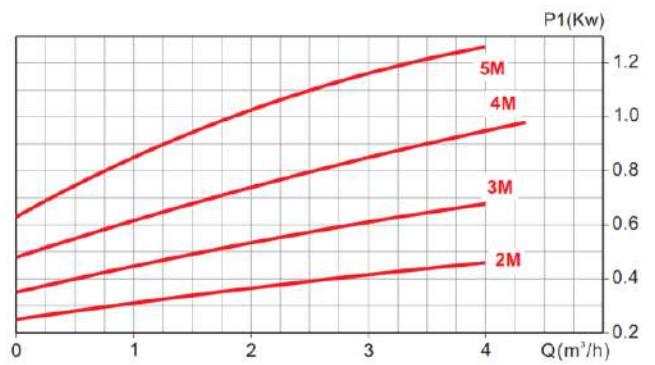
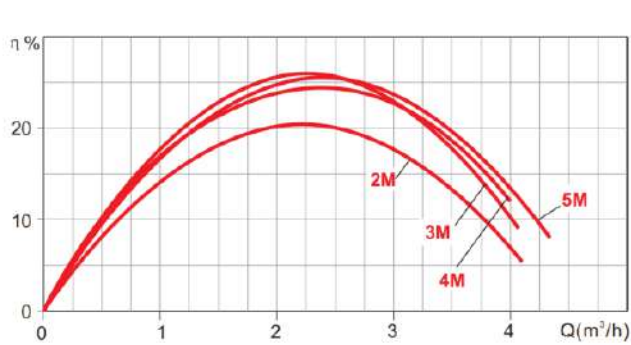
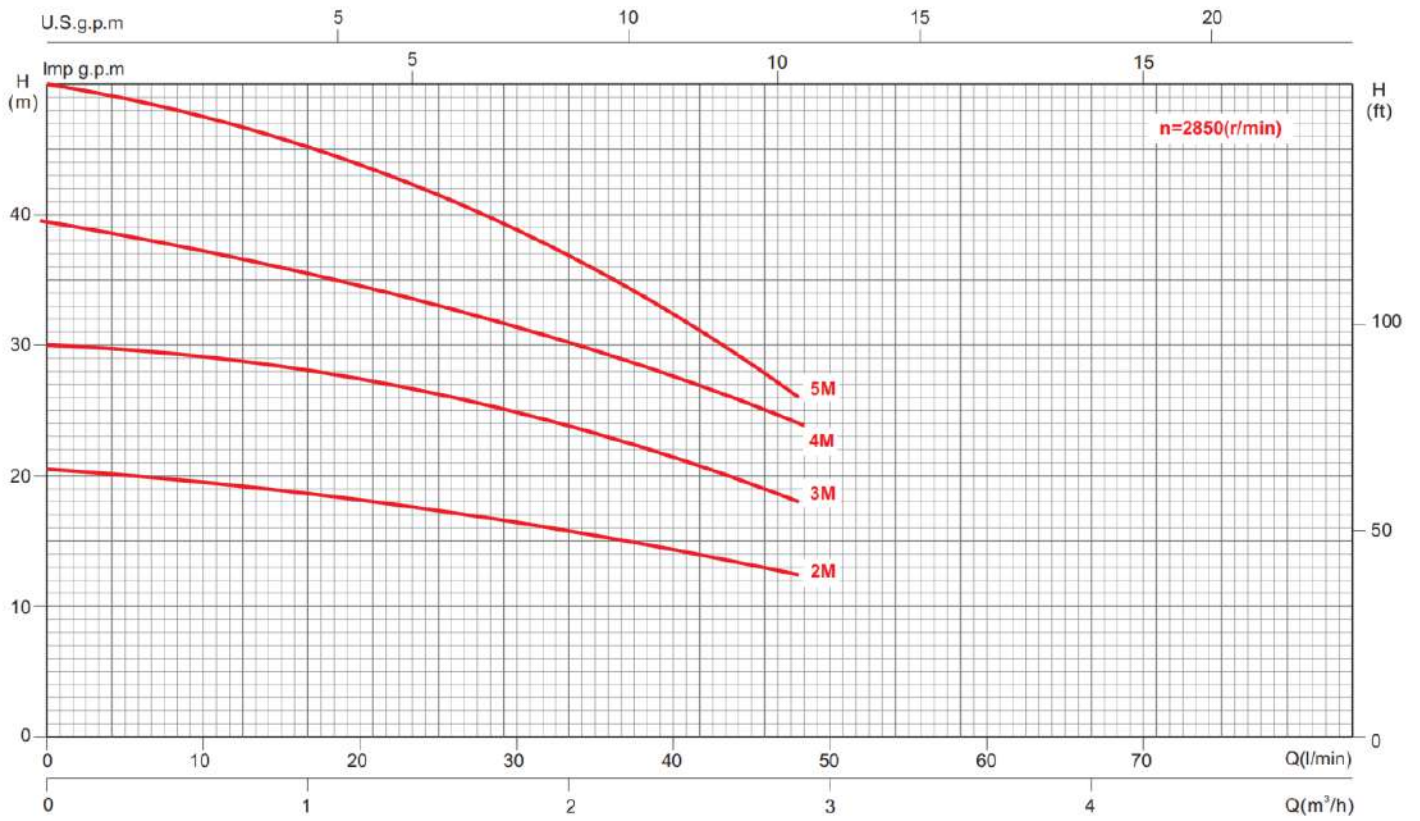
Class F insulation.

Continuous operation.

Single phase version built-in thermal protector upon request.

TECHNICAL DATA

Model	KW	V		A		P1(KW)		Q	L/min	0	24	40	48	60
		1~	3~	1~	3~	1~	3~							
		50HZ	50HZ	220	380	0.45	0.46							
HMP15/15P-2M	0.25	220	380	2.0	1.04	0.45	0.46	H(m)	20.5	17.5	14	12.4	7	
HMP15/15P-3M	0.37	220	380	2.75	1.21	0.61	0.61		30	26.5	21.5	18.0	10	
HMP15/15P-4M	0.55	220	380	3.53	1.3	0.8	0.8		40	33.5	27.5	23.5	15	
HMP15/15P-5M	0.75	220	380	4.13	1.9	0.95	0.95		50	42.0	32.0	26.0	19	
									m³/h	0	1.44	2.4	2.88	3.6



DIMENSIONS

	A	B	C	D	E	F	G	H	I	J	K	Kg
HMP15/15P-2M	166	112	228	74	63	102	247	50	130	10	1"	8.2
HMP15/15P-3M	190	112	252	74	63	102	247	50	130	10	1"	9.0
HMP15/15P-4M	214	112	276	74	63	102	247	50	130	10	1"	9.8
HMP15/15P-5M	238	112	300	74	63	102	247	50	130	10	1"	10.6