

# GHE

## CENTRIFUGAL PUMPS



# GHE

**Materials:**

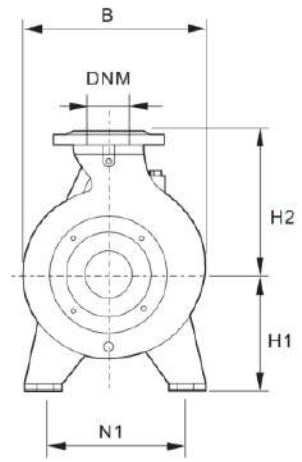
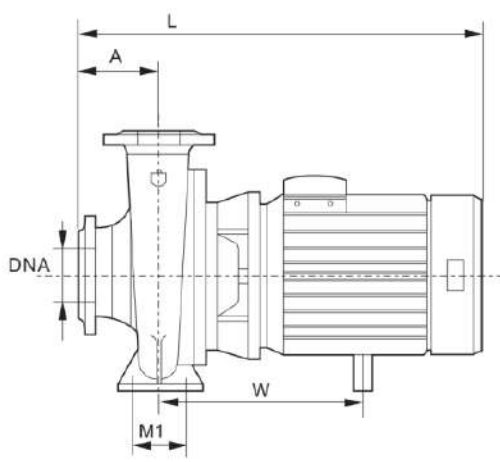
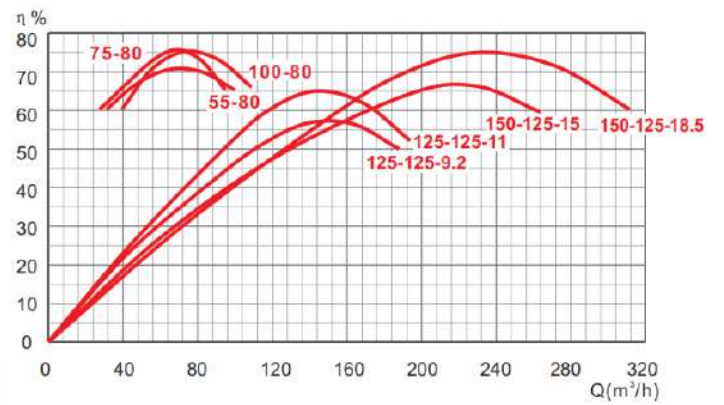
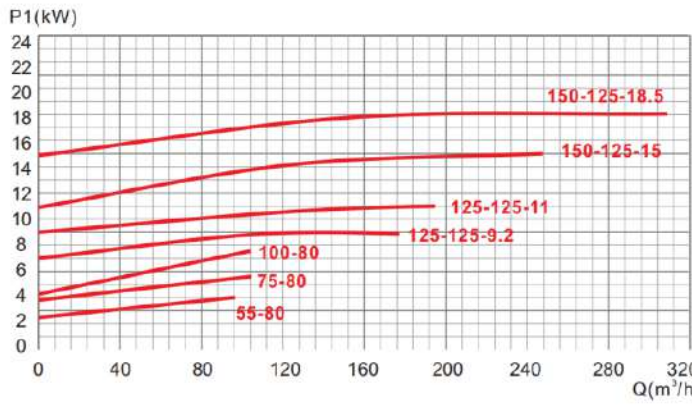
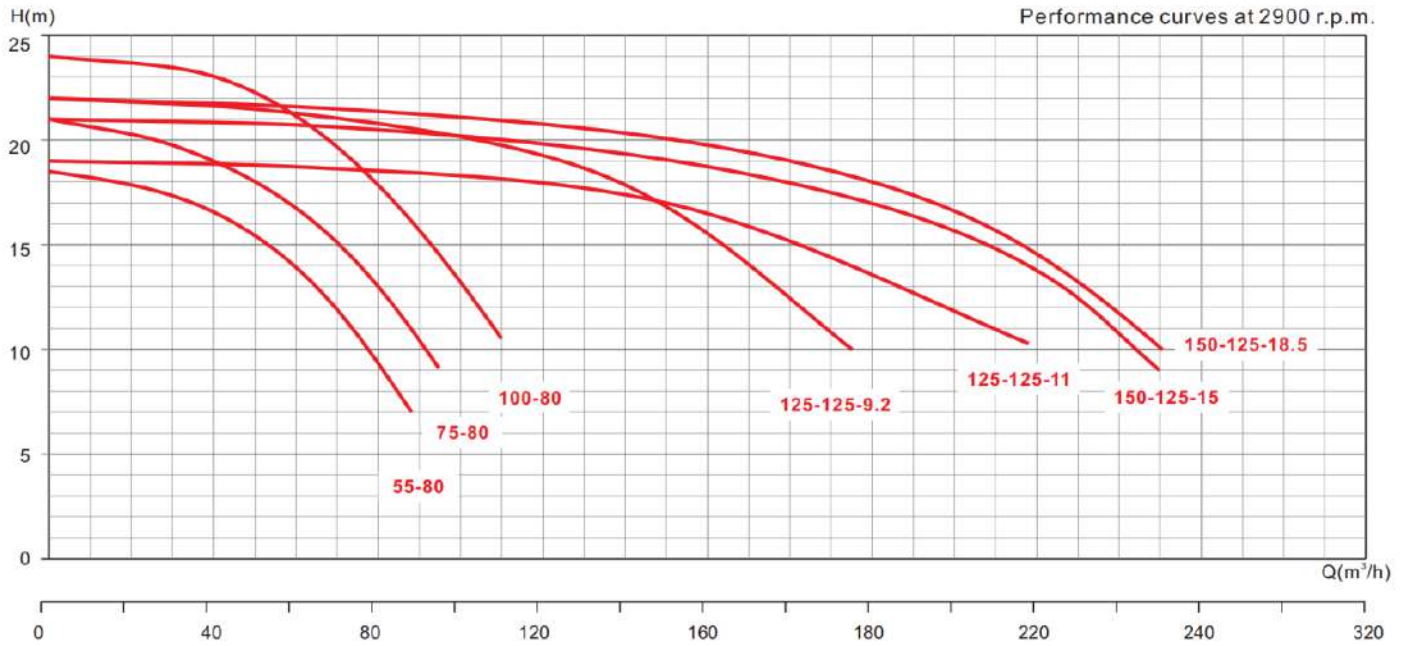
Pump body in cast iron.  
 Impeller in cast iron  
 Shaft in 45# steel/stainless steel  
 Mechanical seal in graphite/ceramic upon request

**Applications:**

Recycling of water from medium and great pools,  
 aquatic attractions and similar places.

**TECHNICAL DATA**

Model	HP	KW	V(3~)		A(3~)		P(kW)(3~)		Q			H		
			50HZ		220	380	220	380	(m <sup>3</sup> /h)			(m)		
GHE 55-80	5.5	4	220	380	14.4	8.3	4.7	4.7	30	60	90	17.5	14	5
GHE75- 80	7.5	5.5	220	380	19.0	11.0	6.3	6.3	30	60	90	20.5	17.5	9
GHE100- 80	10	7.5	220	380	25.6	14.8	8.6	8.6	30	60	90	23.5	21.5	16
GHE125-125-9.2	12.5	9.2		380		17.9		10.5	90	150	165	18	14	12
GHE125-125-11	15	11		380		21		12.5	105	180	240	18	15.3	11.2
GHE150-125-15	20	15		380		28		16.9	105	180	240	20	18	14
GHE150-125-18.5	25	18.5		380		34.3		20.6	105	180	240	21	19	15



**TECHNICAL DATA**

	W	M1	A	B	N1	H1	H2	DNA	DNM	L	Kg
GHE55-80	292	95	100	310	212	162.5	180	φ 80	φ 65	575	62
GHE75-80	310	95	100	310	212	162.5	180	φ 80	φ 65	600	70
GHE100-80	310	95	100	310	212	162.5	180	φ 80	φ 65	600	75
GHE125-125-9.2	262	95	102.5	276	215	146	137	φ 125	φ 125	605	85
GHE125-125-11	275	95	102.5	276	215	146	137	φ 125	φ 125	681	105
GHE150-125-15	418.5	95	121.7	276	215	146	137	φ 150	φ 125	744	128
GHE150-125-18.5	418.5	95	121.7	276	215	146	137	φ 150	φ 125	744	140