

# QUIET RUNNING

## SERIES SWIMMING POOL PUMPS

### Applications:

Recycling and filtering of water for medium and commercial swimming pools.



**lbt**  
EagleBurgmann BT



# PPA60

Quiet running single-stage centrifugal pumps, complete with prefilter.

### Materials:

Pump body, pump foot and diffuser in glass loaded polypropylene.

Impeller and seal mounting in PPO.

Motor shaft in stainless steel AISI-316.

(Burgmann) Mechanical seal in graphite and ceramic,

Motor housing in aluminum L-2521.

### Motor:

Asynchronous, two poles.

IPX5 protection.

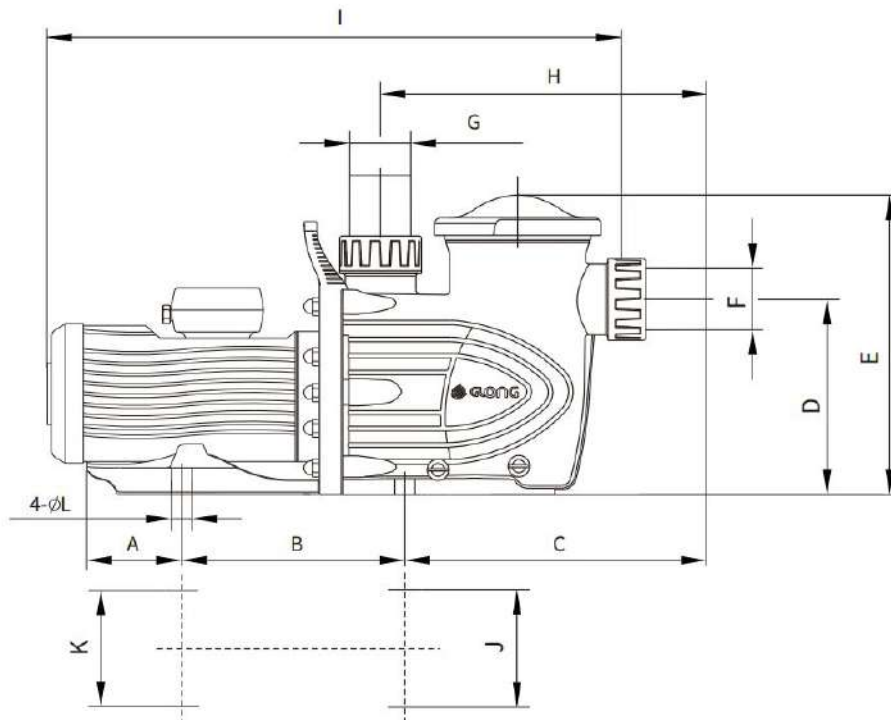
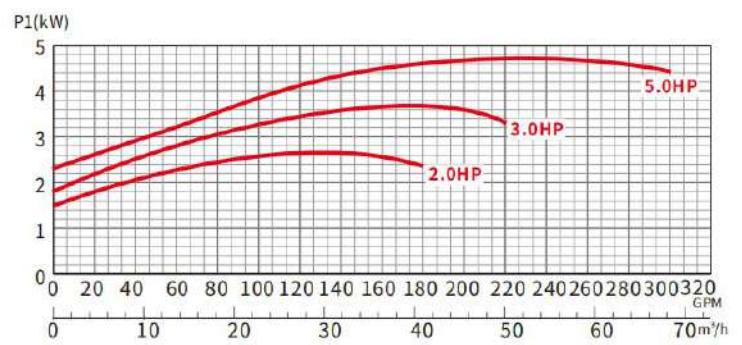
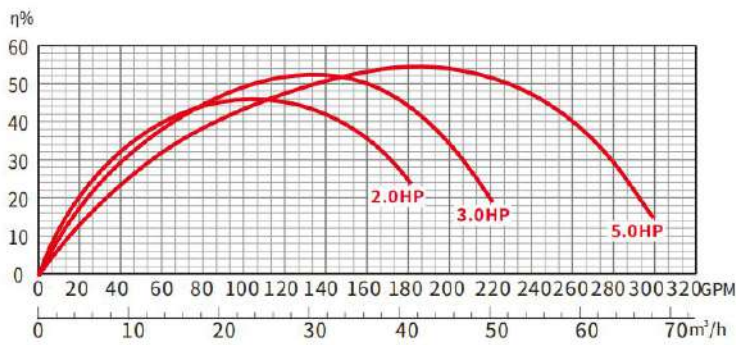
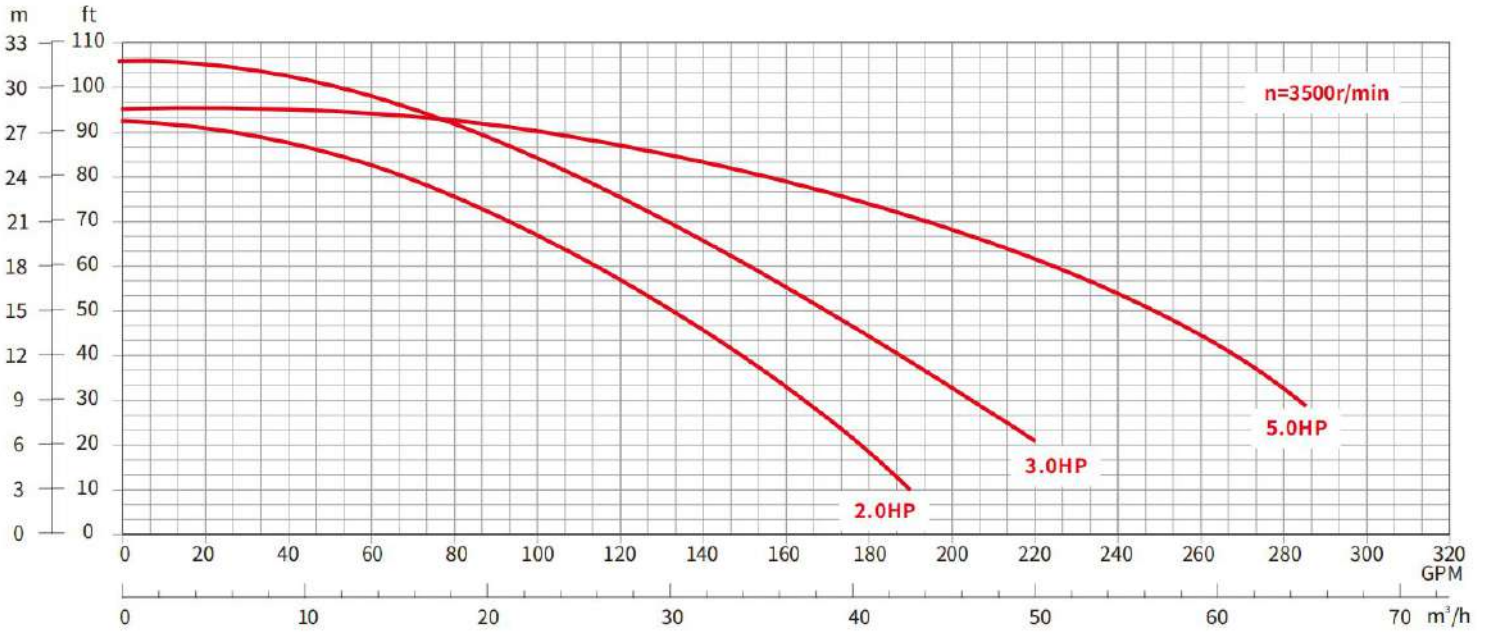
Class F insulation.

Continuous operation.

Single phase version built-in thermal protection.

### TECHNICAL DATA

Model	HP	kW	A		Q											
			1~	3~		GPM	0	60	100	140	180	200	240	280	294	
			230V	208-230/460V		m <sup>3</sup> /h	0	13.6	22.7	31.8	40.9	45.4	54.5	63.6	66.7	
PPA60-200	2	1.5	11.2	7.1-6.8/3.4	H(m)	28.1	25	22	14.7	6.9						
PPA60-300	3	2.2	14.1	11.0-10.4/5.2		32.9	29.4	27.6	20.4	14	8.4					
PPA60-500	5	3.7	22	13.6-12.4/6.2		28.6	28.5	27.2	25	21.8	19.8	15.1	9.4	7.2		



#### DIMENSIONAL

Model	A	B	C	D	E	F	G	H	I	J	K	L
PPA60-200	113	267	348	232	358	φ73/φ89	φ73/φ89	379	656	168	166	11.5
PPA60-300	113	267	348	232	358	φ73/φ89	φ73/φ89	379	656	168	166	11.5
PPA60-500	113	267	348	232	358	φ73/φ89	φ73/φ89	379	686	168	166	11.5