

POOL

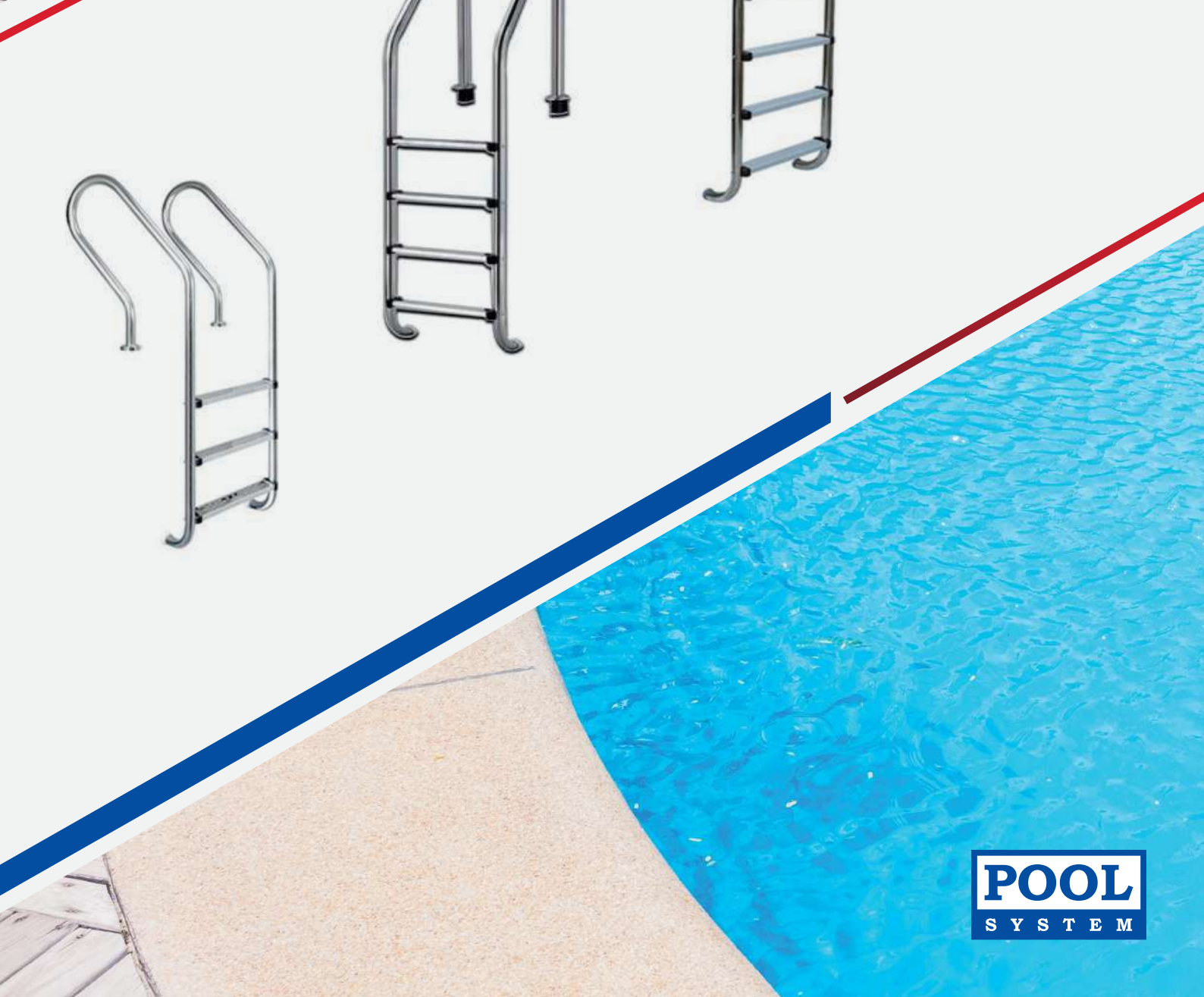
S Y S T E M

POOL LADDERS

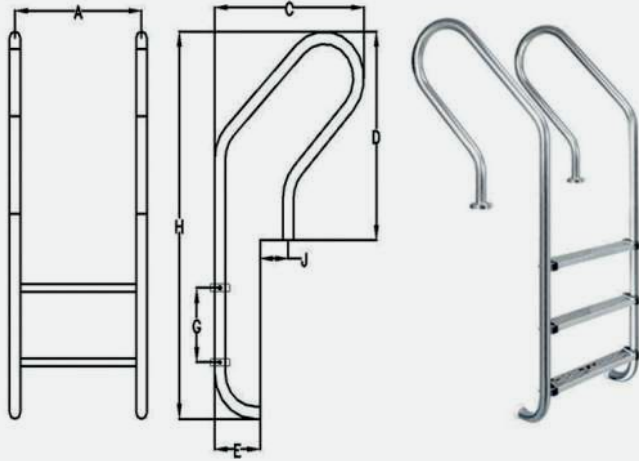
» Stainless Steel 304 & 316.

» Premium Quality.



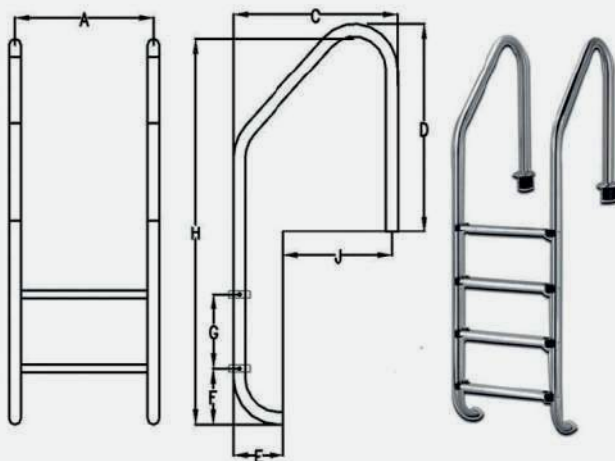


1 SF Series Pool Ladders



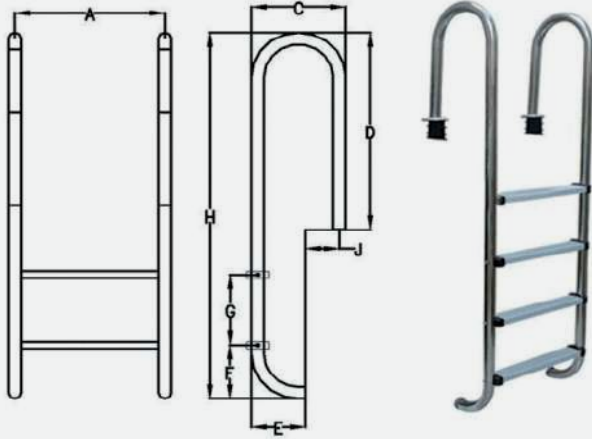
Model	Material	A	C	D	E	G	H	F	J	Thickness (mm)	Tube Dia (mm)
SF-215	SS304&316	500	592	700	180	250	1300	190	113	1.0&1.2	43
SF-315	SS304&316	500	592	700	180	250	1550	190	113	1.0&1.2	43
SF-415	SS304&316	500	592	700	180	250	1800	190	113	1.0&1.2	43
SF-515	SS304&316	500	592	700	180	250	2050	190	113	1.0&1.2	43

2 SL Series Pool Ladders



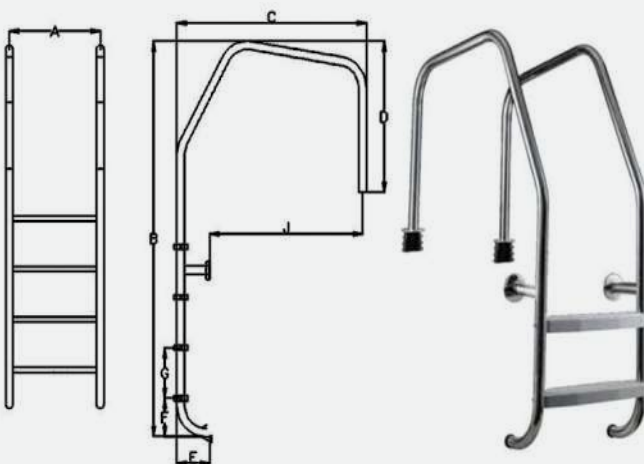
Model	Material	A	C	D	E	G	H	F	J	Thickness (mm)	Tube Dia (mm)
SL-215	SS304&316	500	592	700	180	250	1300	190	390	1.0&1.2	43
SL-315	SS304&316	500	592	700	180	250	1550	190	390	1.0&1.2	43
SL-415	SS304&316	500	592	700	180	250	1800	190	390	1.0&1.2	43
SL-515	SS304&316	500	592	700	180	250	2050	190	390	1.0&1.2	43

3 MU Series Pool Ladders

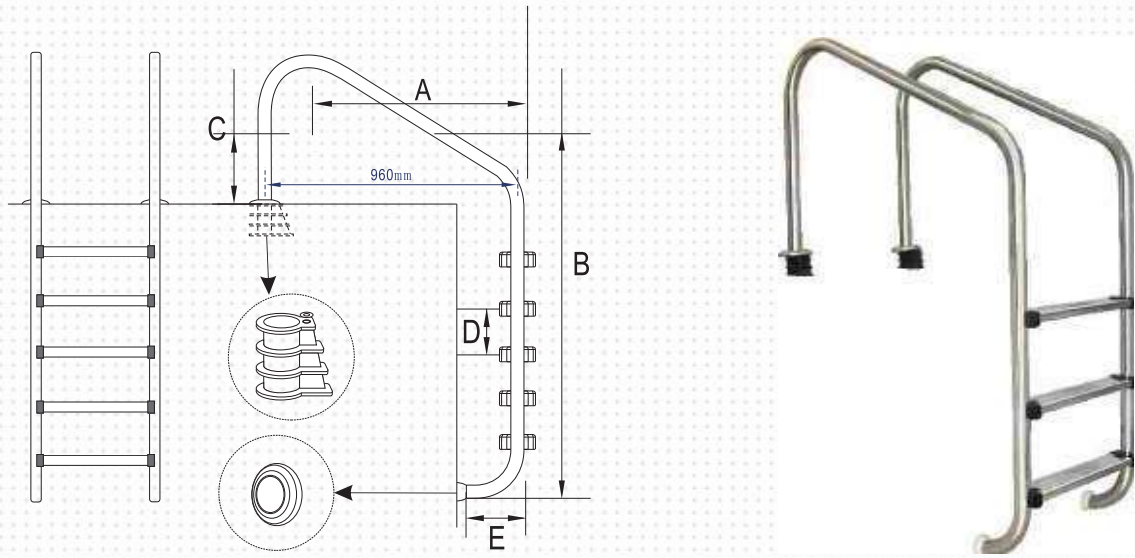


Model	Material	A	C	D	E	G	H	F	J	Thickness (mm)	Tube Dia (mm)
MU-215	SS304&316	500	314	700	180	250	1300	190	113	1.0&1.2	43
MU-315	SS304&316	500	314	700	180	250	1550	190	113	1.0&1.2	43
MU-415	SS304&316	500	314	700	180	250	1800	190	113	1.0&1.2	43
MU-515	SS304&316	500	314	700	180	250	2050	190	113	1.0&1.2	43

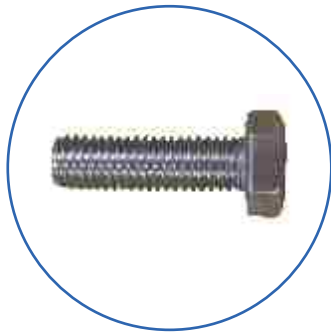
4 OF Series Pool Ladders



Model	Material	A	B	C	D	E	F	G	H	I	Thickness (mm)	Tube Dia (mm)
OF-215	SS304&316	500	1460	1042	747	219	200	250	562	811	1.0&1.2	43
OF-315	SS304&316	500	1710	1042	747	219	200	250	812	811	1.0&1.2	43
OF-415	SS304&316	500	1960	1042	747	219	200	250	1062	811	1.0&1.2	43
OF-515	SS304&316	500	1960	1042	747	219	200	250	1312	811	1.0&1.2	43



MB series pool ladders are made with polished stainless steel 304 or 316 and durable stainless steel steps.



Specifications

Model	Code	No. of Step	Stainless Steel Grade	Wall Thickness	A	B	C	D	E	Weight
				mm	mm	mm	mm	mm	mm	kg
MBS215 -1.0 -304	70208	2	304	1	1000	1320	788	250	170	8
MBS215 -1.0 -316	70210		316	1						
MBS315 -1.0 -304	70211	3	304	1	1000	1570	788	250	170	9.2
MBS315 -1.0 -316	70213		316	1						
MBS415 -1.0 -304	70214	4	304	1	1000	1820	788	250	170	10.4
MBS415 -1.0 -316	70216		316	1						
MBS515 -1.0 -304	70217	5	304	1	1000	2070	788	250	170	11.5
MBS515 -1.0 -316	70219		316	1						

All specifications are only for reference. Actual product performance may vary due to external factors such as temperature, water quality, and filter media. Product's colours and specifications are subject to change without prior notice.



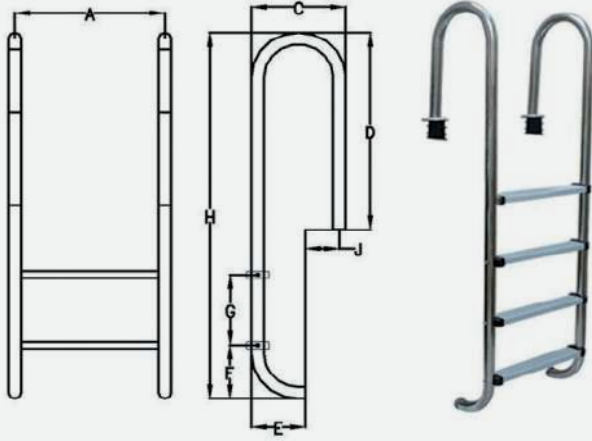
ESCALERAS SERIE SF



Stainless steel antislip step pool ladder

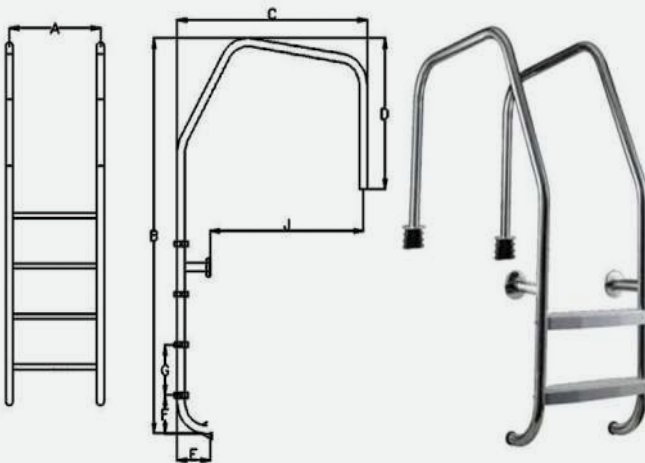
product code (AISI-304/1.0)	product code (AISI-304/1.2)	product code (AISI-316/1.2)	model	A mm	B mm	C mm	D mm	E mm	F mm	G mm
02011001003	02011005003	02011009003	SF 215-SR	500	1328	531	702	219	243	250
02011002003	02011006003	02011010003	SF 315-SR	500	1578	531	702	219	243	250
02011003003	02011007003	02011011003	SF 415-SR	500	1828	531	702	219	243	250
02011004003	02011008003	02011012003	SF 515-SR	500	2078	531	702	219	243	250

3 MU Series Pool Ladders



Model	Material	A	C	D	E	G	H	F	J	Thickness (mm)	Tube Dia (mm)
MU-215	SS304&316	500	314	700	180	250	1300	190	113	1.0&1.2	43
MU-315	SS304&316	500	314	700	180	250	1550	190	113	1.0&1.2	43
MU-415	SS304&316	500	314	700	180	250	1800	190	113	1.0&1.2	43
MU-515	SS304&316	500	314	700	180	250	2050	190	113	1.0&1.2	43

4 OF Series Pool Ladders



Model	Material	A	B	C	D	E	F	G	H	I	Thickness (mm)	Tube Dia (mm)
OF-215	SS304&316	500	1460	1042	747	219	200	250	562	811	1.0&1.2	43
OF-315	SS304&316	500	1710	1042	747	219	200	250	812	811	1.0&1.2	43
OF-415	SS304&316	500	1960	1042	747	219	200	250	1062	811	1.0&1.2	43
OF-515	SS304&316	500	1960	1042	747	219	200	250	1312	811	1.0&1.2	43



ESCALERAS SERIE SL



Stainless steel antislip step pool ladder

product code (AISI-304/1.0)	product code (AISI-304/1.2)	product code (AISI-316/1.2)	model	A mm	B mm	C mm	D mm	E mm	F mm	G mm
02011001010	02011005010	02011009010	SL215-SR	500	1328	531	702	219	243	250
02011002010	02011006010	02011010010	SL315-SR	500	1578	531	702	219	243	250
02011003010	02011007010	02011011010	SL415-SR	500	1828	531	702	219	243	250
02011004010	02011008010	02011012010	SL515-SR	500	2078	531	702	219	243	250