

# "P-DG" SERIES FILTERS

## Features:

- Made of high density polyethylene material, corrosive-proof, safe and environmental.
- Unitized thermal plastic filter tank tough, durable and suitable for many different weather condition.
- Easy-to-use multiport valve lets you select any of the valve/filter operation with a simple lever-action.
- Clamp lock is designed to allow 360 degree rotation to simplify installation.
- Compact and save space.
- These sand filters are applicable in all types of pool, spa, fountain, waterscape and aquarium.

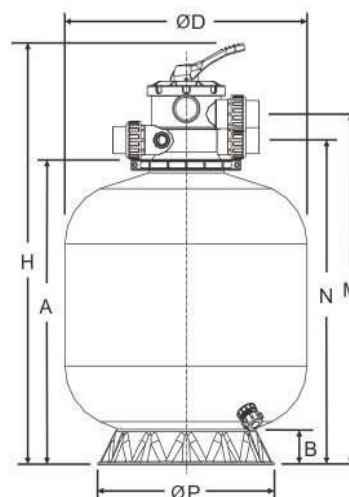


## Main parts:

- Easy-to-use six-position valve makes the selection of the valve/ filter simple.
  - \* FILTER (Normal filtration and vacuuming).
  - \* BACKWASH (Clean filter by reversing the flow).
  - \* RINSE (Used after backwash to flush dirt from valve).
  - \* WASTE (By-passes filter, used for vacuuming to waste or lowering water level).
  - \* RECIRCULATE (By-passes filter for circulation water to pool).
  - \* CLOSE.
- Unitized and durable tank.
- Special drainage design, easy to drain, maintain and ice-free in winter.



φD(mm)	350	410	450	535	635	710
H(mm)	750	770	830	870	970	1040
B(mm)	75	75	75	75	95	95
A(mm)	490	510	570	610	710	780
φP(mm)	319	319	390	390	565	565
N(mm)	545	565	625	665	765	835
M(mm)	600	620	680	720	820	890



Model	Pipe Size		Filter Area (m <sup>2</sup> )	Design Flow		0.5-0.8mm Sand Weight (kg)	Tank Volume (m <sup>3</sup> )	Valve Volume (m <sup>3</sup> )	Tank Weight (kg)	Valve Weight (kg)
	inches	mm		m <sup>3</sup> /h	lpm					
P-DG 14	1.5	50	0.10	4.50	75	25	0.06	0.02	4.0	3
P-DG 16	1.5	50	0.13	6.50	108	34	0.09	0.02	5.0	3
P-DG 18	1.5	50	0.16	8.00	133	50	0.15	0.02	6.5	3
P-DG 21	1.5	50	0.23	11.50	192	80	0.20	0.02	9.2	3
P-DG 25	1.5	50	0.32	16.00	267	160	0.32	0.02	12.1	3
P-DG 28	1.5	50	0.40	20.00	333	220	0.42	0.02	17.0	3

MAXIMUM WORKING PRESSURE: 36psi/2.5kg/cm<sup>2</sup>(PLASTIC CLAMP)

MAXIMUM WORKING WATER TEMPERATURE≤43°C