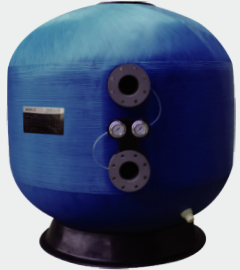


POOL
S Y S T E M

POOL FILTER

- » 100% Fiberglass.
- » Bobbin Wound.
- » Laminated.

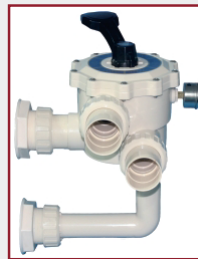




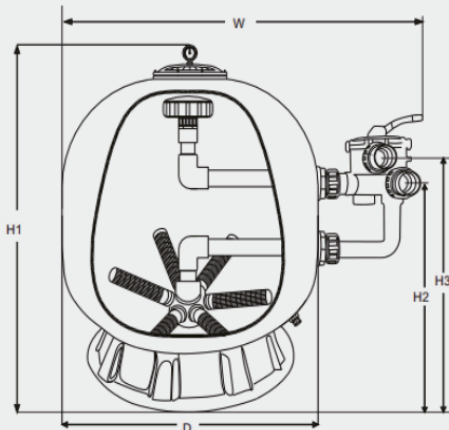
Side mounted sand filter is well designed for private and public pools, with silica sand, classic filtration media, it is ideal and popular choice to make your water crystal.

Features

1. 100% Fiberglass and resin raw materials.
2. With 6-way multiport valve.
3. 100% ABS material for valve.
4. Factory testing pressure 370-400KPA, working pressure 250KPA.
5. Bobbin wound with fiberglass wires.
6. Max temperature of 43°C (109°F).
7. Anti-corrosion and UV-resistant.



Technical Data



Material:
Filer Body: 100% FRP
Plastic: ABS CHI MEI 757
Screws: 304# Stainless Steel

P/N	Model	Size D	Flow m3/h	MPV Size		H3 mm	H2 mm	H1 mm	w mm	Filtration Area m2	Average Tank Thickness		Media Weight 1 - 2mm kg	Valve Excluded	
				mm	Inches						0.25Mpa	0.4Mpa		Packing Size mm	Gross Weight Kg
611201	NBS450	∅ 450	6	50	1.5"	410	360	630	740	0.11	≥ 4	≥ 5	35	440*440*540	12.5
611202	NBS500	∅ 500	10	50	1.5"	430	380	650	820	0.2	≥ 4	≥ 6	80	510*510*670	14
611203	NBS600	∅ 600	13	50	1.5"	460	410	740	920	0.3	≥ 5	≥ 6.5	160	630*630*670	19
611204	NBS700	∅ 700	19	50	1.5"	520	470	830	1020	0.37	≥ 5.5	≥ 6.5	220	710*710*670	22.5
611205	NBS800	∅ 800	25	63	2.0"	680	600	1000	1170	0.5	≥ 5.5	≥ 6.5	370	830*830*930	39.5
611206	NBS900	∅ 900	30	63	2.0"	720	640	1080	1270	0.63	≥ 6	≥ 7	447	900*900*990	40
611207	NBS1000	∅ 1000	44	63	2.0"	740	660	1150	1370	0.78	≥ 6	≥ 7	700	1030*1030*1200	55
611208	NBS1100	∅ 1100	47	63	2.0"	800	720	1310	1470	0.95	≥ 6.5	≥ 7.5	940	1135*1135*1260	60
611209	NBS1200	∅ 1200	50	63	2.0"	830	750	1350	1570	1.13	≥ 7	≥ 8	1200	1230*1230*1380	68