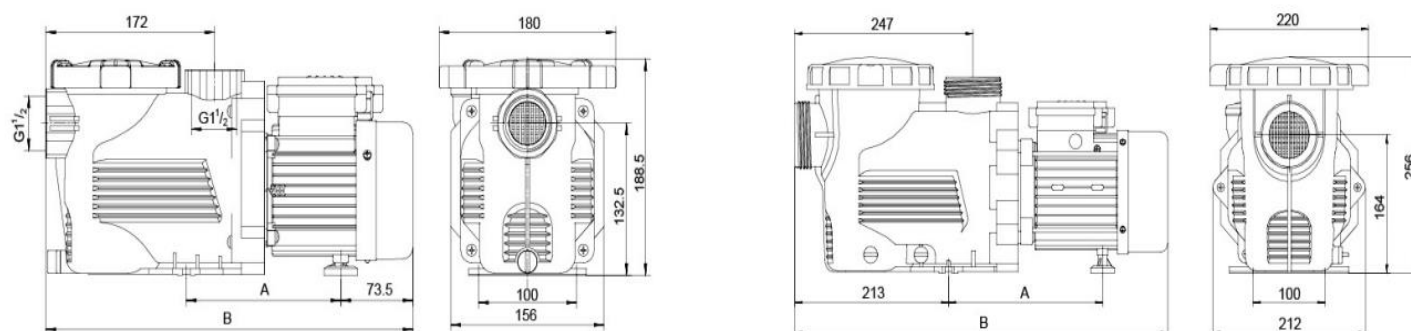


ELECTROBOMBAS XKP



| Model | A | B |
|--------|-------|-----|
| XKP256 | 157.5 | 374 |
| XKP306 | 157.5 | 374 |
| XKP356 | 157.5 | 374 |
| XKP456 | 157.5 | 374 |
| XKP556 | 188.5 | 405 |
| XKP756 | 188.5 | 405 |
| XKP856 | 188.5 | 405 |

| Model | A | B |
|---------|-----|-----|
| XKP1106 | 214 | 518 |
| XKP1606 | 250 | 548 |
| XKP2206 | 250 | 548 |



HIDROCENTRO LIMA
MASTERS OF WATER INDUSTRY

Ncole Pool

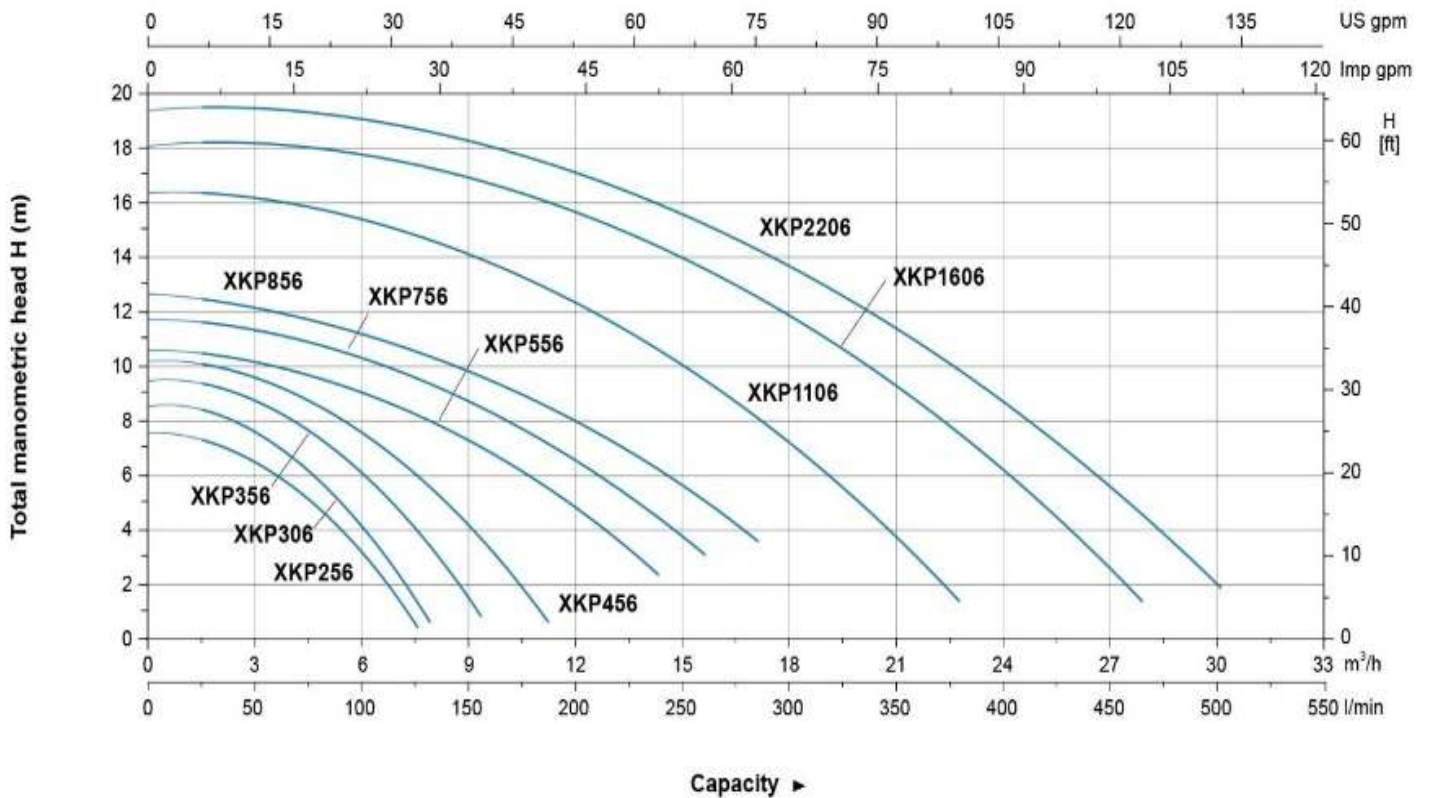


FOR A BETTER LIFE

EUROPEAN QUALITY · ELEGANT AND REFINED

BRING DIFFERENT BEAUTY TO THE POOL

What benefit you can get



| Model | MAX.Flow (L/min) | MAX.Head (m) | Input Power (W) | GW (Kg) | Connector Size | Package Size (mm) |
|---------|------------------|--------------|-----------------|---------|--|-------------------|
| XKP256 | 125 | 7.5 | 250 | 5.5 | Standard connector (inch) 1.5" | 410×170×200 |
| XKP306 | 125 | 8.5 | 300 | 5.6 | | 410×170×200 |
| XKP356 | 160 | 9.5 | 350 | 5.8 | | 410×170×200 |
| XKP456 | 185 | 10 | 450 | 6 | | 410×170×200 |
| XKP556 | 235 | 10.5 | 550 | 6.2 | | 440×170×200 |
| XKP756 | 260 | 11.5 | 750 | 6.8 | | 440×170×200 |
| XKP856 | 285 | 12 | 850 | 7.2 | | 440×170×200 |
| XKP1106 | 375 | 16 | 1100 | 11.8 | Double size connector (mm) 48.5&50 60.3&63 | 575×240×255 |
| XKP1606 | 465 | 18 | 1600 | 14.8 | | 575×240×255 |
| XKP2206 | 515 | 19.5 | 2200 | 17.5 | | 575×240×255 |

Activar Windows



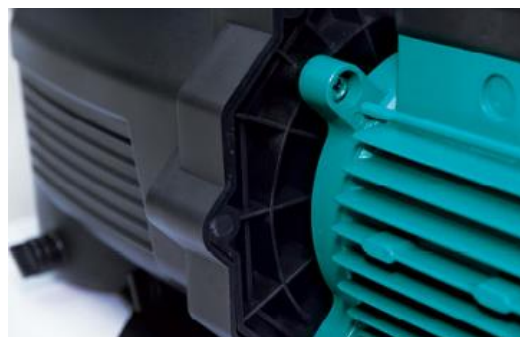
CONEXIONES DE 2 TAMAÑOS



TAPA DE FÁCIL MANIPULACIÓN



VÁLVULA DE DRENAJE



ESTRUCTURA EMPOTRADA

CONDICIONES DE TRABAJO

- **Temperatura media: 5 – 50C°**
- **Temperatura del ambiente: >40C°**
- **Máxima presión de trabajo: 43PSI.**
- **Protección de ingreso: IPX5**
- **Clase de Aislamiento: F**
- **Motor 220v / 60Hz**
- **Conexiones 1 ½” * 1 ½”**