

LED POOL LIGHT

ITEM NO.: LPL-R210/180 Series

INSTRUCTION OF LED POOL LIGHT/LPLR210/180

This product is mainly used for swimming pool, underwater fixture. With friendly and convenient operation, it can offer magic effects in water and ground.

A. Specification

A-1. Structure

Materials of Shell: Aluminum alloy/6063
 Rotary angle: 150°
 Input Voltage: 24V DC
 Protecting Rating: IP68
 Operating Temperature: -20°C~40°C



LPL-R180A-18P



LPL-R210A-36P

A-1. Model Configuration Table

Model No.	LED Color	LED Quantity	Power Consumption	Beam Angle	Size	Weight	✓
LPL-R180A-18P	R, G, B	18	23 WATTS	20°/30°/40°	∅ 170xH180mm	2.6kg±5%	
LPL-R210A-36P	R, G, B	36	45 WATTS	20°/30°/40°	∅ 210xH190mm	4.4kg±5%	

B. Working mode

- B-1. DMX512 mode (signal from DMX console)
- B-2. Built-in mode
- B-3. Master/Slave mode Mode(Master=001, Slave≠001)

C. Function & Setup

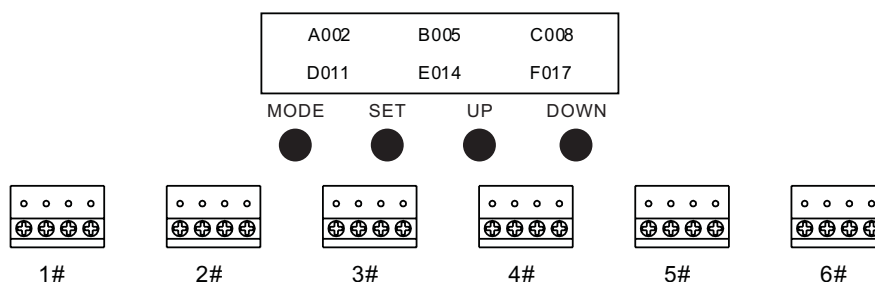
C-1. DMX Channel instruction-3 Channels available as sheet:

CHANNEL 1		CHANNEL 2		CHANNEL 3	
Data	Function	Data	Function	Data	Function
0~255	Brightness of Red	0~255	Brightness of Green	0~255	Brightness of Blue

***Enter or quit DMX mode automatically once detecting valid signal!!!

C-2. DMX Address Setting

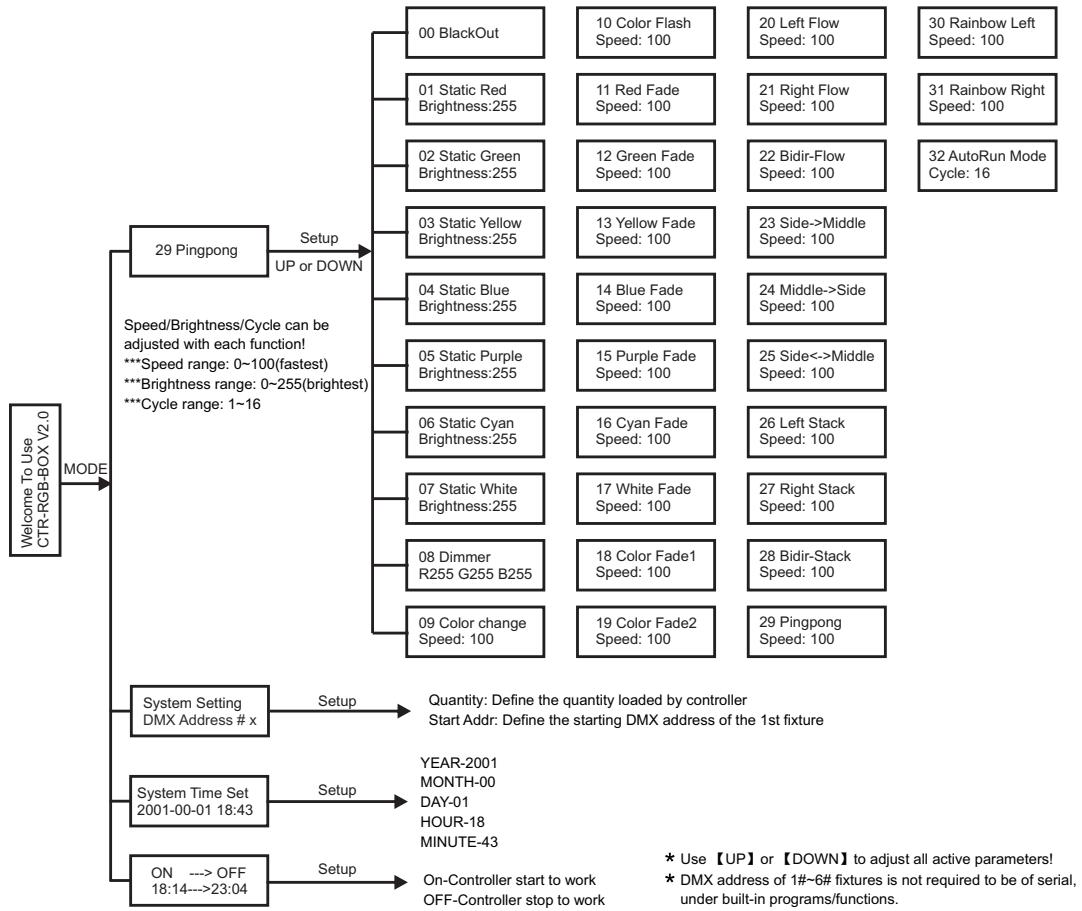
Press the MODE button to the interface as below, the address(A,B,C,D,E,F) display on the LCD screen are corresponding to the output port on the controller (1 # 2 # 3 # 4 # 5 # 6 #). Press SET button to choose different output port; Press the UP and Down button to the desired address, each port can set as digits less than 512.



LED POOL LIGHT

ITEM NO.: LPL-R210/180 Series

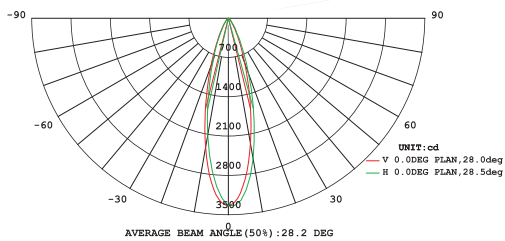
C-3 .Program Menu



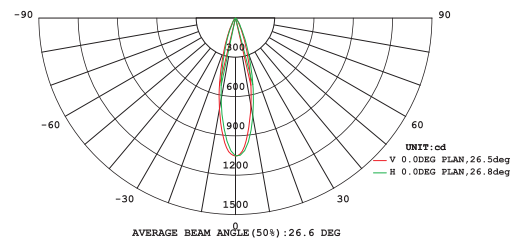
D.Photometrics

D-1. Cadela distribution

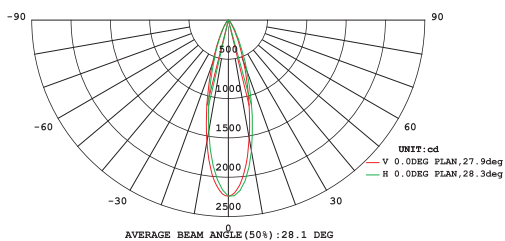
LPL-R210A-36P-40°



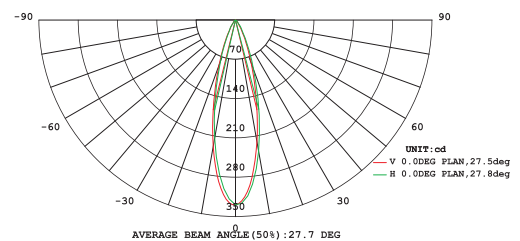
RGB



R



G



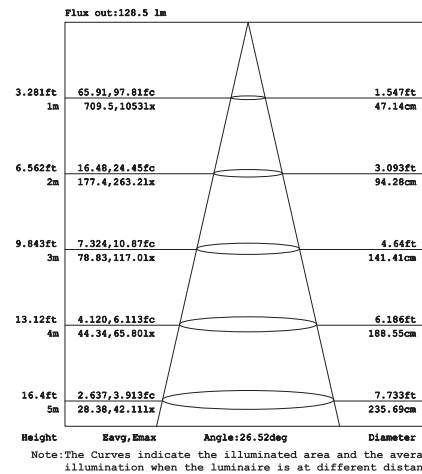
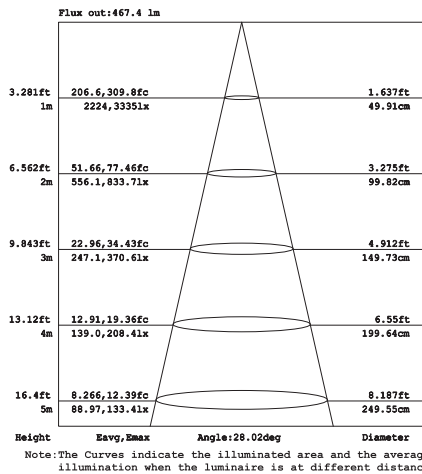
B

D-2. Illuminance at a distance

LED POOL LIGHT

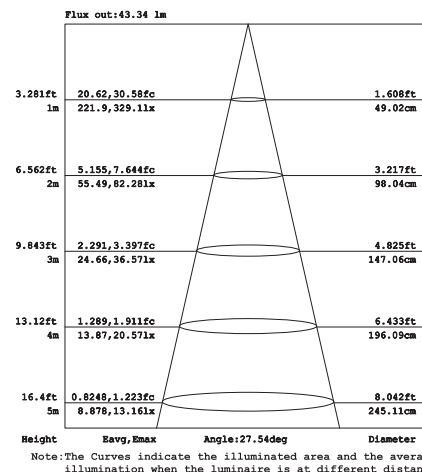
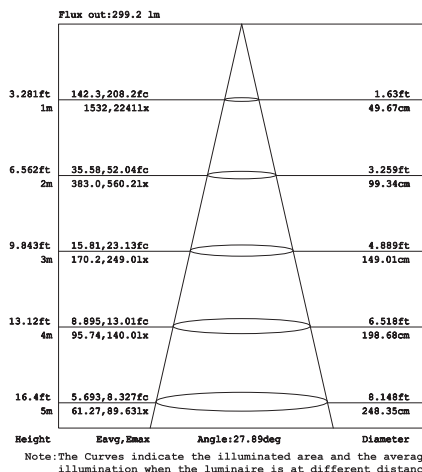
ITEM NO.: LPL-R210/180 Series

LPL-R210A-36P-40°



RGB

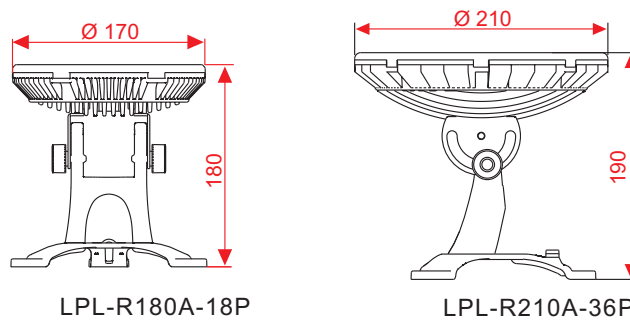
R



G

B

E.Dimension drawing

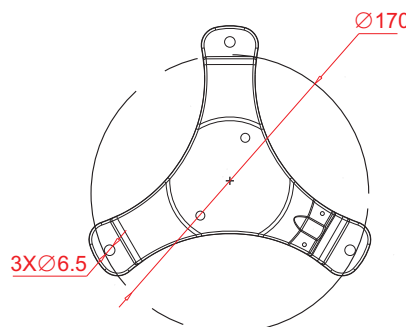


LPL-R180A-18P

LPL-R210A-36P

F.Installation

Fix the brackets via M6 tapping screw, mounting size as below:



LED POOL LIGHT

ITEM NO.: LPL-R210/180 Series

G. Connection

Firstly, take apart the PC cover, remove the terminals, wring the output terminal as shown in drawing of right side, then plug the terminal on the pins (original position), separate the bonding clamp for compressing the wire and lock the PC cover. We generally use 4 colors (red, green, blue, black) in our 4 wires and 3 circuits products.

Wiring corresponding follows:

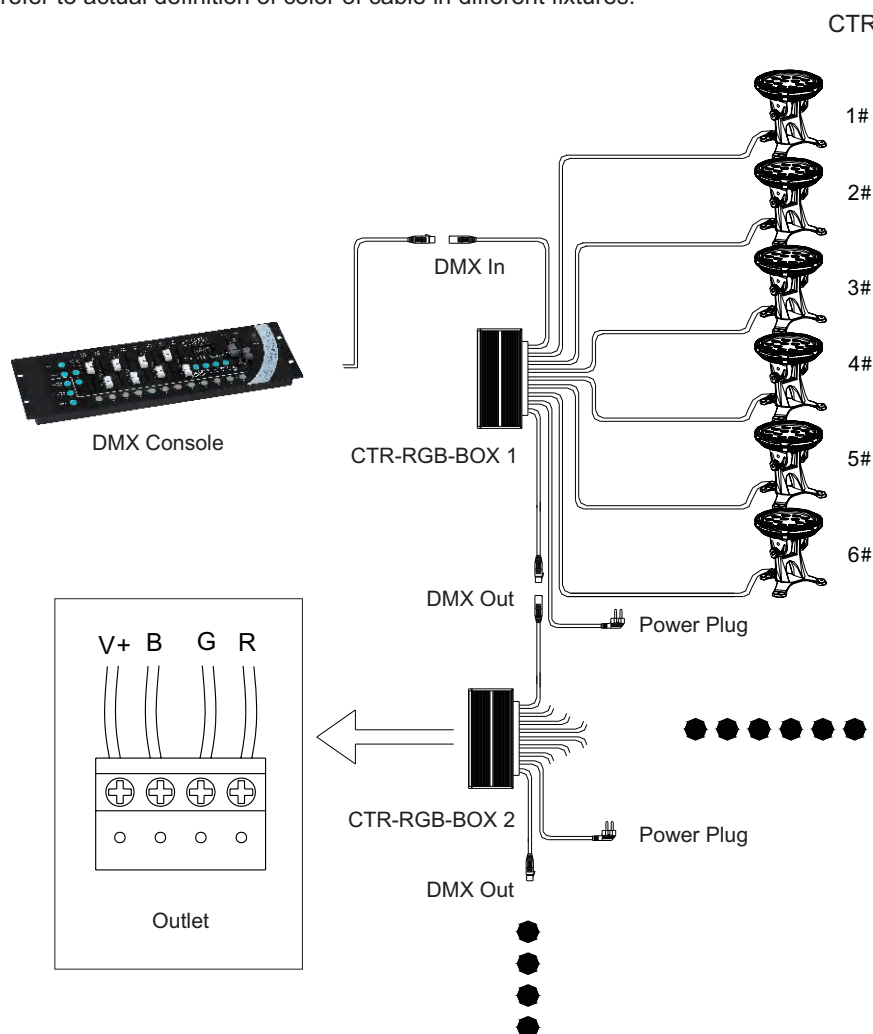
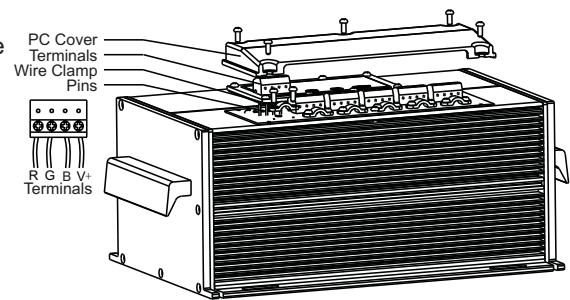
Black wire ----- V+

Red wire ----- R

Green wire ----- G

Blue wire ----- B

***Please refer to actual definition of color of cable in different fixtures.



Caution:

1. Do not plug them into power when the product is still in package;
2. Don't use anything to cover the fixture during application;
3. Don't use this product in close environment;
4. If this product appears to be damaged, do not attempt any repair, please contact your dealer.

Warning:

- * Neglect on action of the above treatment will lead to failure of waterproof and proper working of the lights!!
- * Make sure the ground connection well avoid electric shock, due to metal housing.