

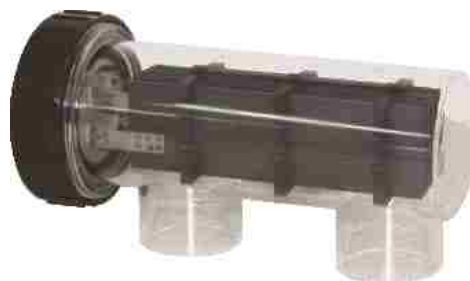


Safe, Simple & Reliable

MINDERCHLOR™ chlorine generator is engineered for reliability and easy operation. Electrolytic chlorine generation is the most effective and convenient way to maintain clean pool water. It has the same sanitation performance as manual chlorine dosing without the need to buy, transport and store expensive chlorine compounds.

Features & Benefits

- Auto Clean Technology with self-cleaning electrolytic cell
- High efficiency toroidal transformer
- Over temperature and over current protection
- Low salt operation: 3500-4500ppm
- Technically advanced digital micro processing PCB
- Premium grade electrolytic cell
- Energy efficient low kW consumption

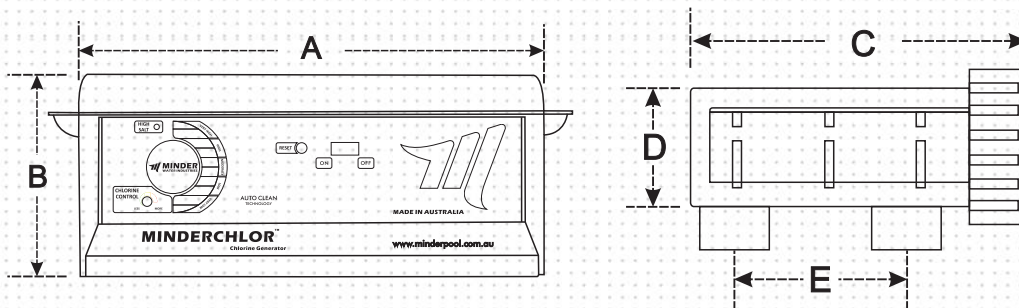


Specifications

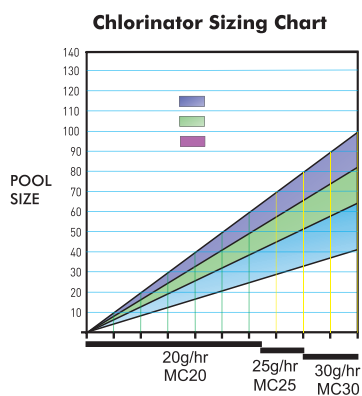
Model	Product Code	Voltage	Power	Salinity	Max Chlorine Output		Connection size	Max Pool Size	Waterproof Level
		V / Hz	W	ppm	g/h	ml/h	inch	m ³	IP
MC20	90154	220 - 240V 50 - 60Hz	200	3500	20	200	1.5- 2	65	IP24
MC25	90155		200		25	250	1.5- 2	80	
MC30	90156		300		30	300	1.5- 2	100	

3 years warranty on power pack and electrolytic cell

All specifications are only for reference. Actual product performance may vary due to external factors such as temperature, water quality, and filter media. Product's colours and specifications are subject to change without prior notice.



Dimensions (mm)	A	B	C	D	E
	405	85	300	90	140



Choose your *Minderchlor*™

1. Determine your pool size (in thousand litres)
2. Move horizontally until you reach your climate zone
3. Do down to determine the amount of chlorine you require
4. If you budget allows, add extra 10-20%
5. In commercial installations, allow at least 100% extra